

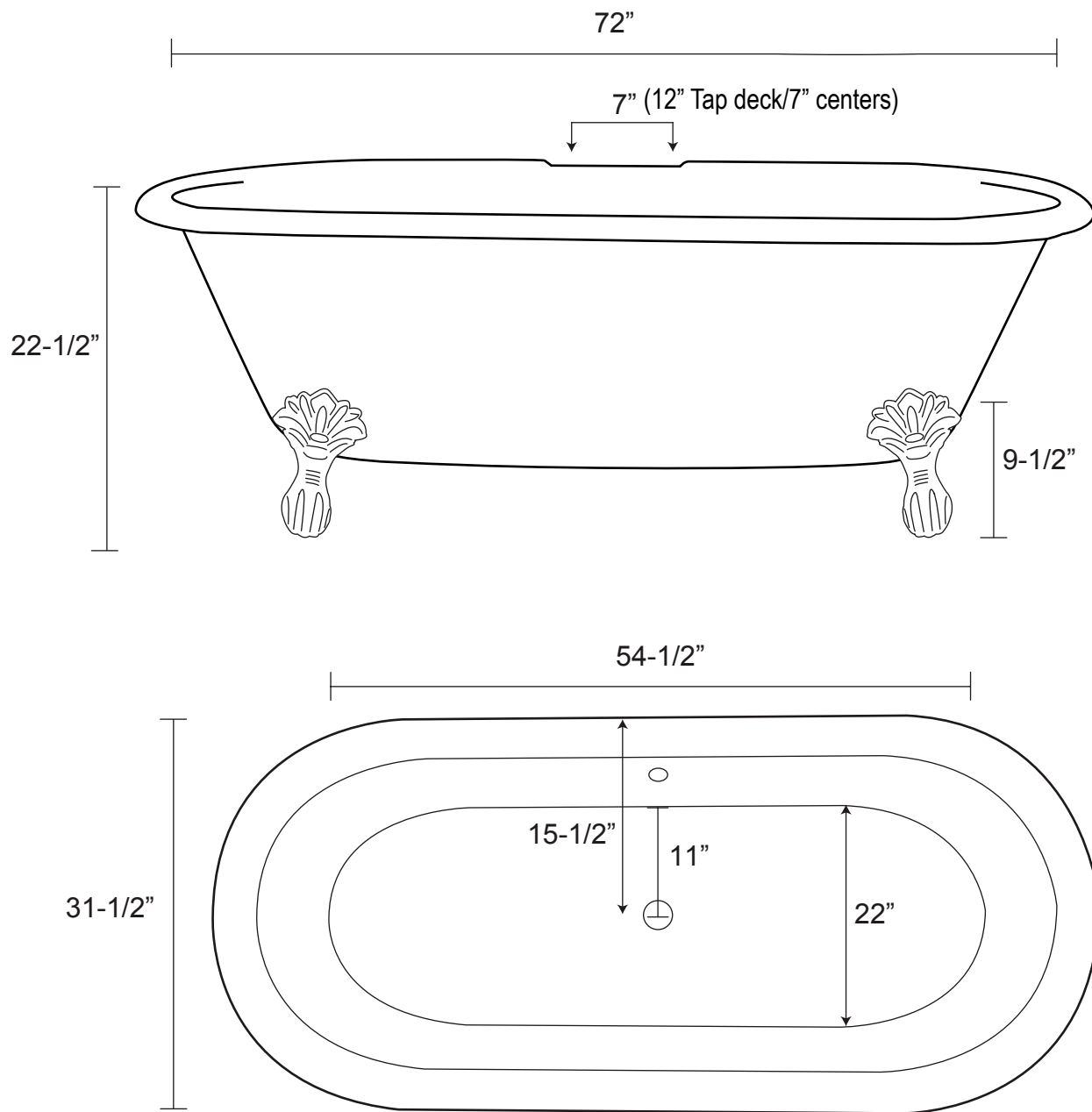
Melinda Dual Copper Tub with Feet - 72"

Smooth Exterior and Interior

Tub Dimensions: 72" L x 31-1/2" W x 22-1/2" H

Water Capacity: 83 Gallons

Tub Weight Uncrated: 100 lbs. Tub Weight Crated: 325 lbs.



Tub rim is 2-3/4" wide.

Overflow hole is 1-5/8" diameter.

Water depth is 16" to overflow.

Overflow is 20" from floor.

All measurements are approximate. Measurements may vary +/- 1/2".