

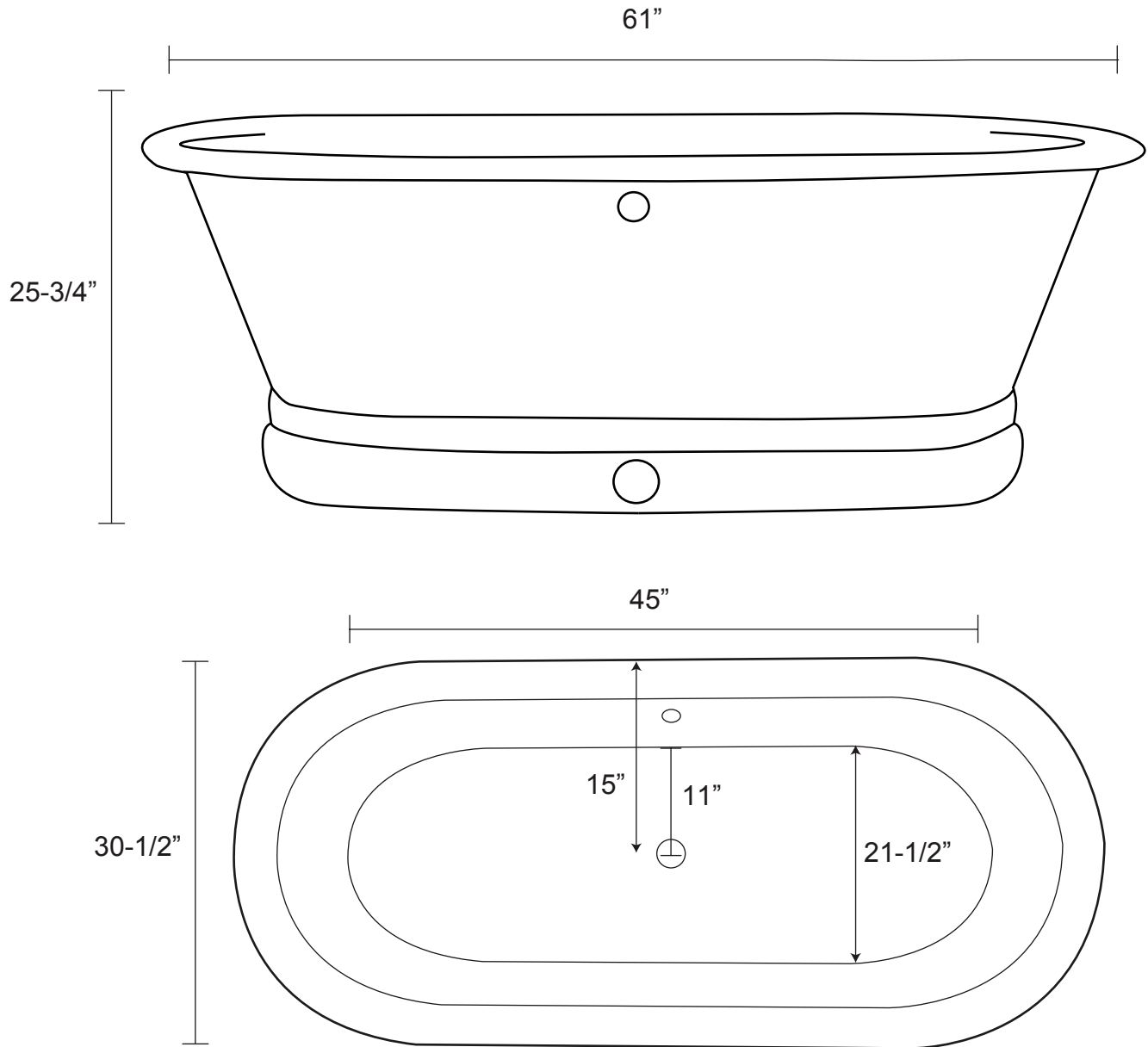
61" Kaela Hammered Copper Double-Ended Tub on Plinth

Hammered exterior and interior with smooth rim and plinth.

Tub Dimensions: 61" L x 30-1/2" W x 25-3/4" H

Water Capacity: 65 Gallons

Tub Weight Uncrated: 100 lbs. Tub Weight Crated: 325 lbs.



Tub rim is 3" wide.

Overflow hole is 1-3/4" diameter.

Water depth is 15-1/2" to overflow.

Overflow is 22-1/2" from floor.

All measurements are approximate. Measurements may vary +/- 1/2".