

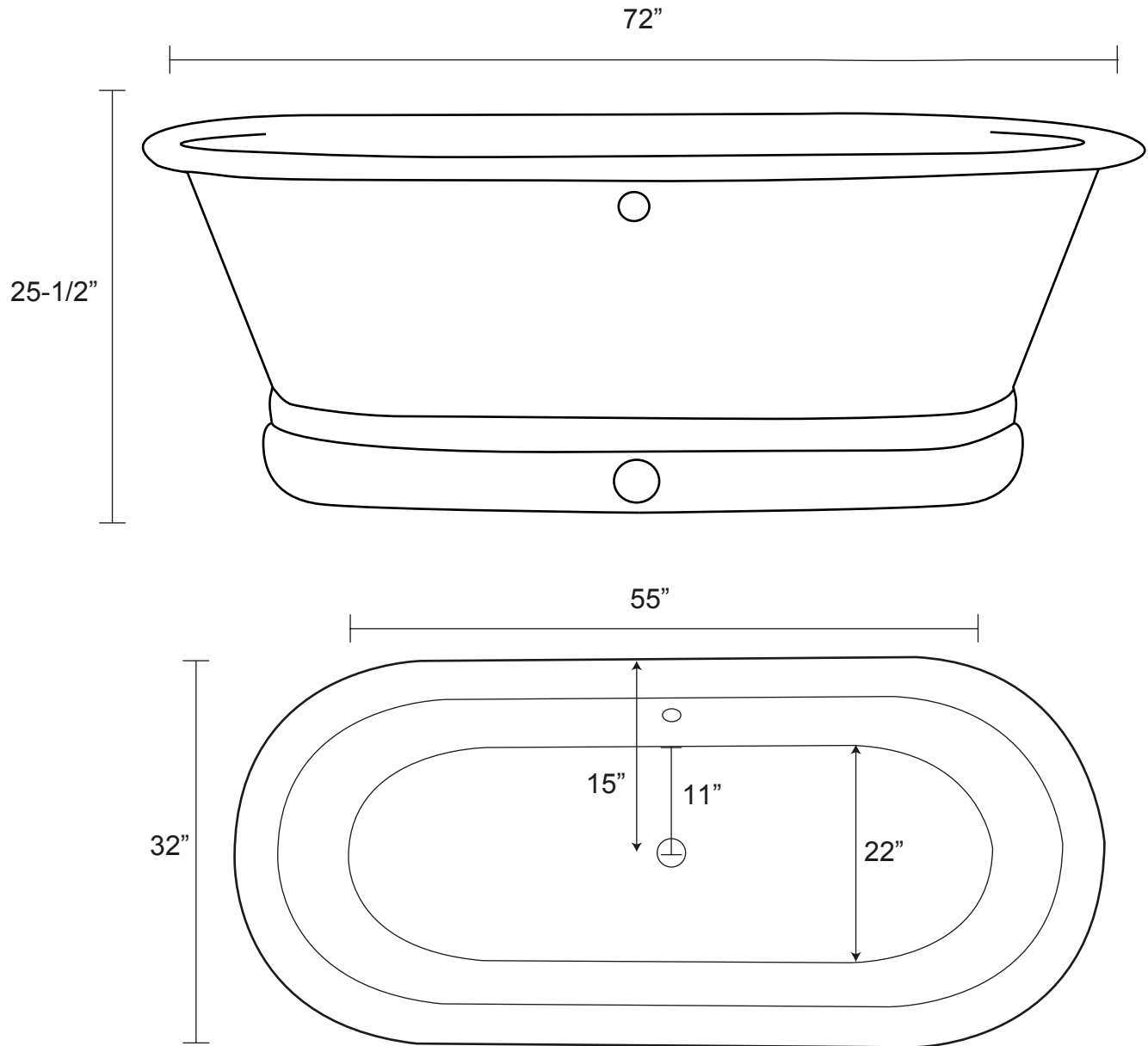
# 72" Kaela Hammered Copper Double-Ended Tub on Plinth

Hammered exterior and interior with smooth rim and plinth.

Tub Dimensions: 72" L x 32" W x 25-1/2" H

Water Capacity: 80 Gallons

Tub Weight Uncrated: 100 lbs. Tub Weight Crated: 325 lbs.



Tub rim is 3" wide.

Overflow hole is 1-3/4" diameter.

Water depth is 15-1/2" to overflow.

Overflow is 22-1/2" from floor.

All measurements are approximate. Measurements may vary +/- 1/2".