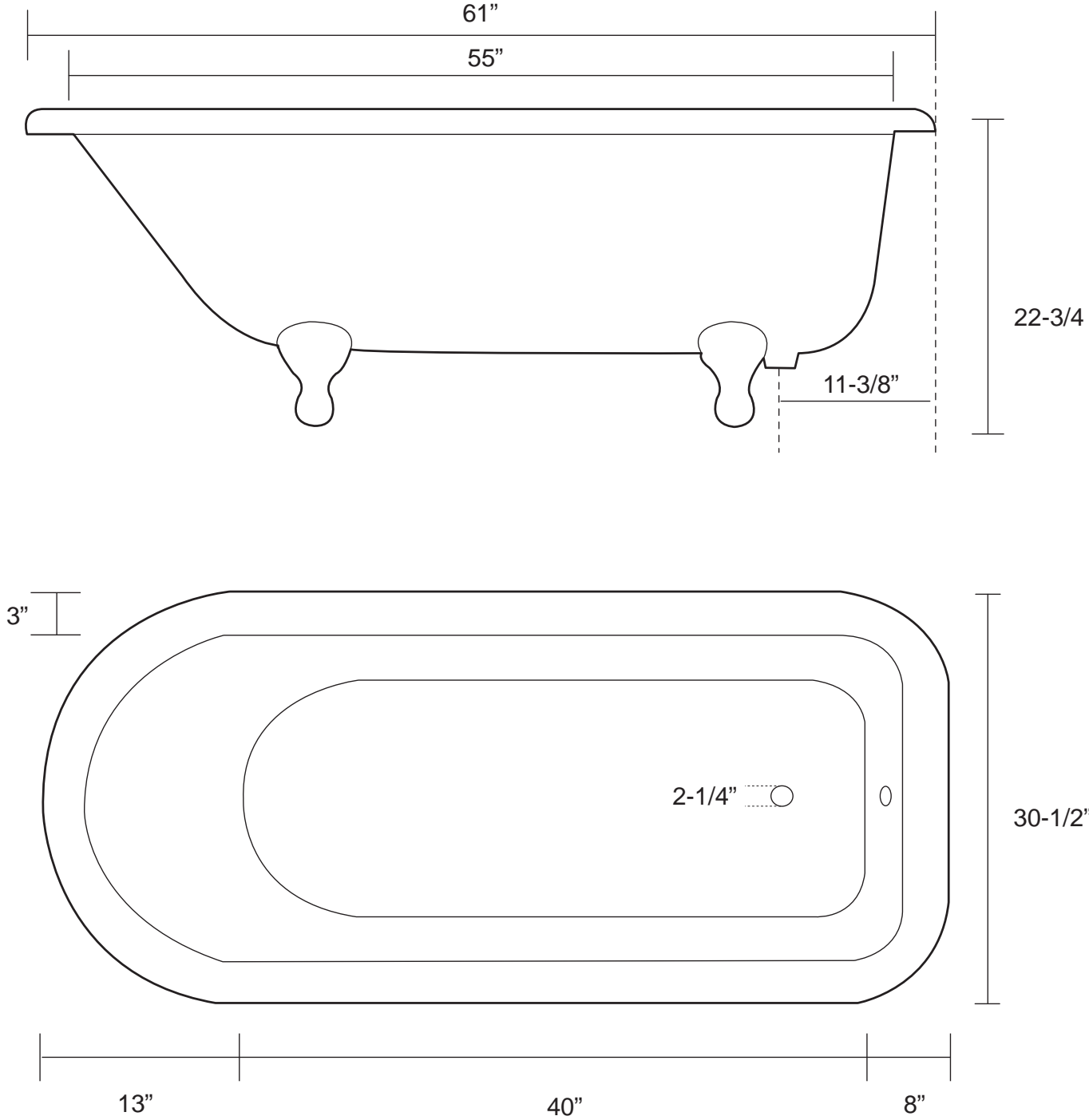


# 61" Cast Iron Rolled Rim Tub on Feet

Tub Dimensions: 61" L x 30-1/2" W x 22-3/4" H

Tub water capacity: 50 gallons

Tub Weight Uncrated: 254 lbs. Tub Weight Crated: 434 lbs.



Water depth to overflow is 13" H for Rim Mount / 11" H for Wall Mount Faucet Drilling.

All measurements are approximate. Measurements may vary +/- 1/2".