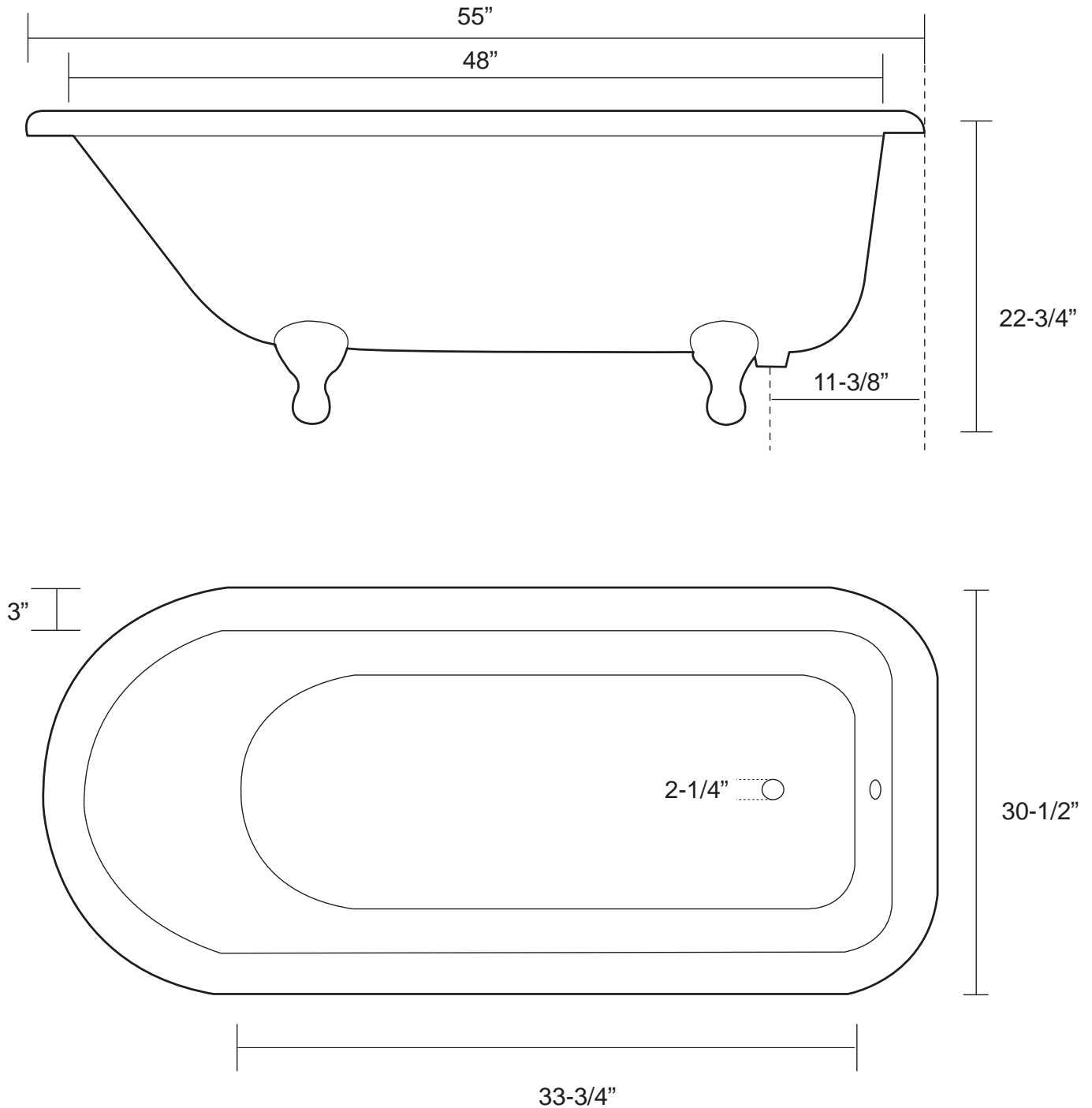


55" Cast Iron Rolled Rim Tub on Feet

Tub Dimensions: 55" L x 30-1/2" W x 22-3/4" H ($\pm 1"$)

Tub water capacity: 41 gallons

Tub Weight Uncrated: 240 lbs. Tub Weight Crated: 420 lbs.



Water depth is 13" H for Rim Mount / 11" H for Wall Mount Faucet Drilling.

All measurements are approximate. Measurements may vary $\pm 1"$.