

Old Antea™ Grande Console with Straight Legs

41 3/4" x 23 1/2" x 36 1/2" high

Grande console with straight legs,
complete with mounting hardware.
Faucet holes on 8" centers.

- Unique classic design
- Easy installation

Colors:

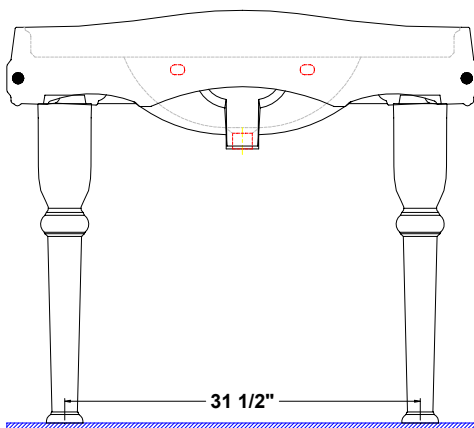
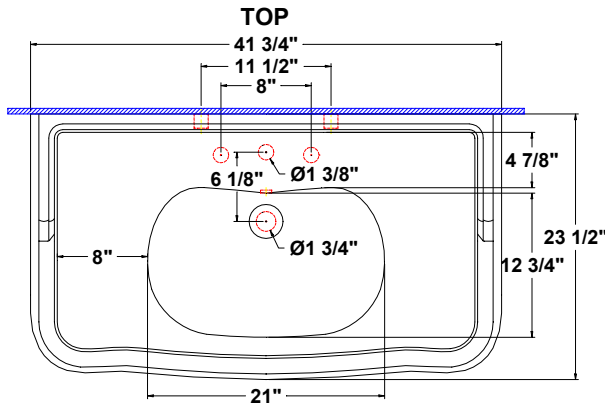
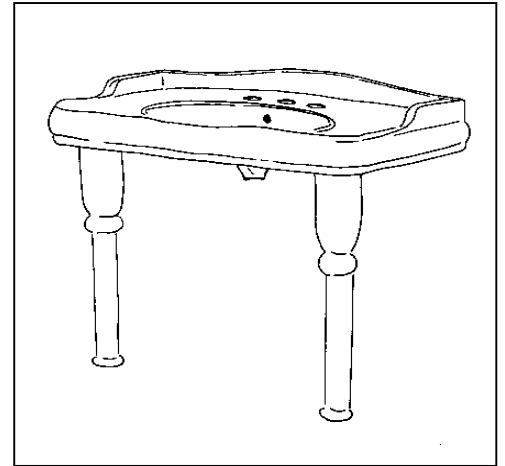
.01 White

Available Component parts:

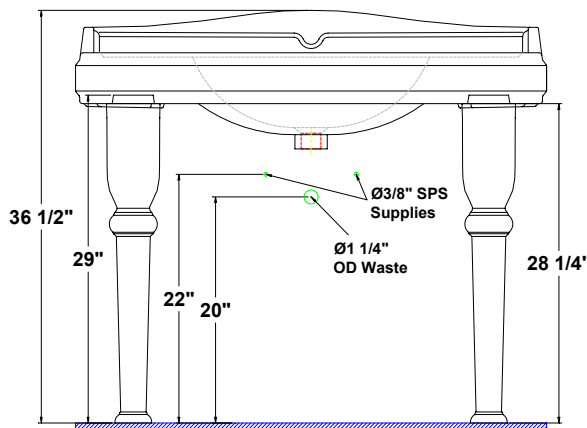
- 5052.082 Grande Lavatory slab 8"
- 5052.331 China Straight Leg (2 legs required for complete unit)

Fixture Information:

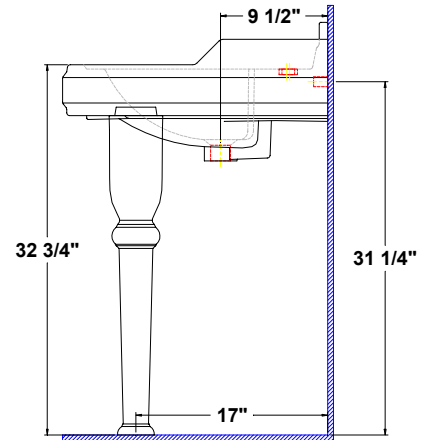
Drain outlet	1 3/4" O.D.
Overall dimensions	41 3/4" x 23 1/2"
Basin dimensions	21" x 13 1/4"
Material	Vitreous china



REAR



FRONT



SIDE

Fixture dimensions meet ANSI/ASME standard A112.19.2M and CAN/CSA requirements. These measurements are subject to change or cancellation. No responsibility will be assumed for use of superseded or voided pages.