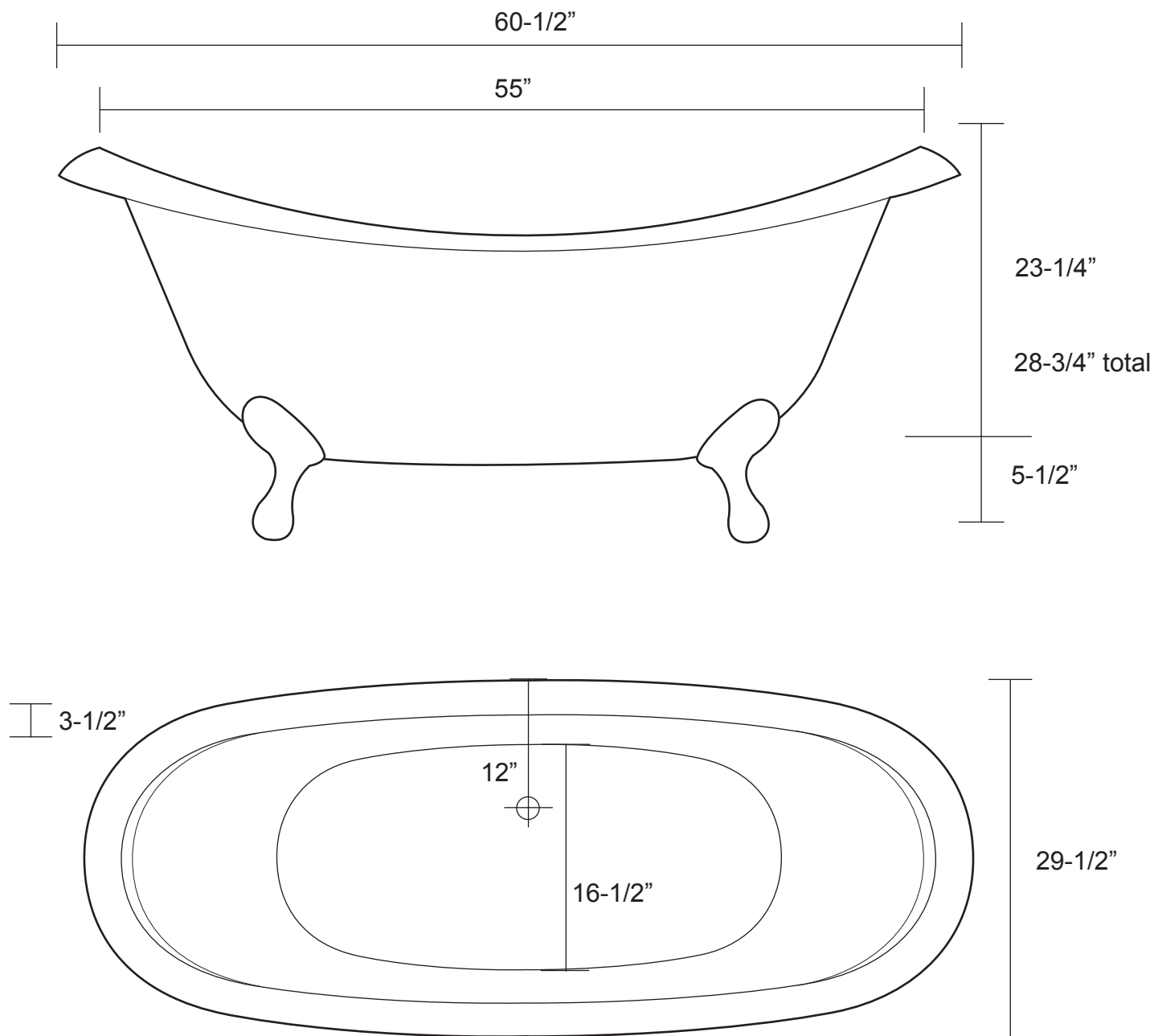


# 61" Cast Iron Double Slipper Tub with Ball Feet

Tub Dimensions: 60-1/2" L x 29-1/2" W x 28-3/4" H

Tub Weight Uncrated: 347 lbs. Tub Weight Crated: 572 lbs



Tub is 15-3/4" deep at drain.

Overflow hole diameter is 1-1/2"

Water depth to overflow is 12" H

All measurements are approximate. Measurements may vary +/- 1/2".