

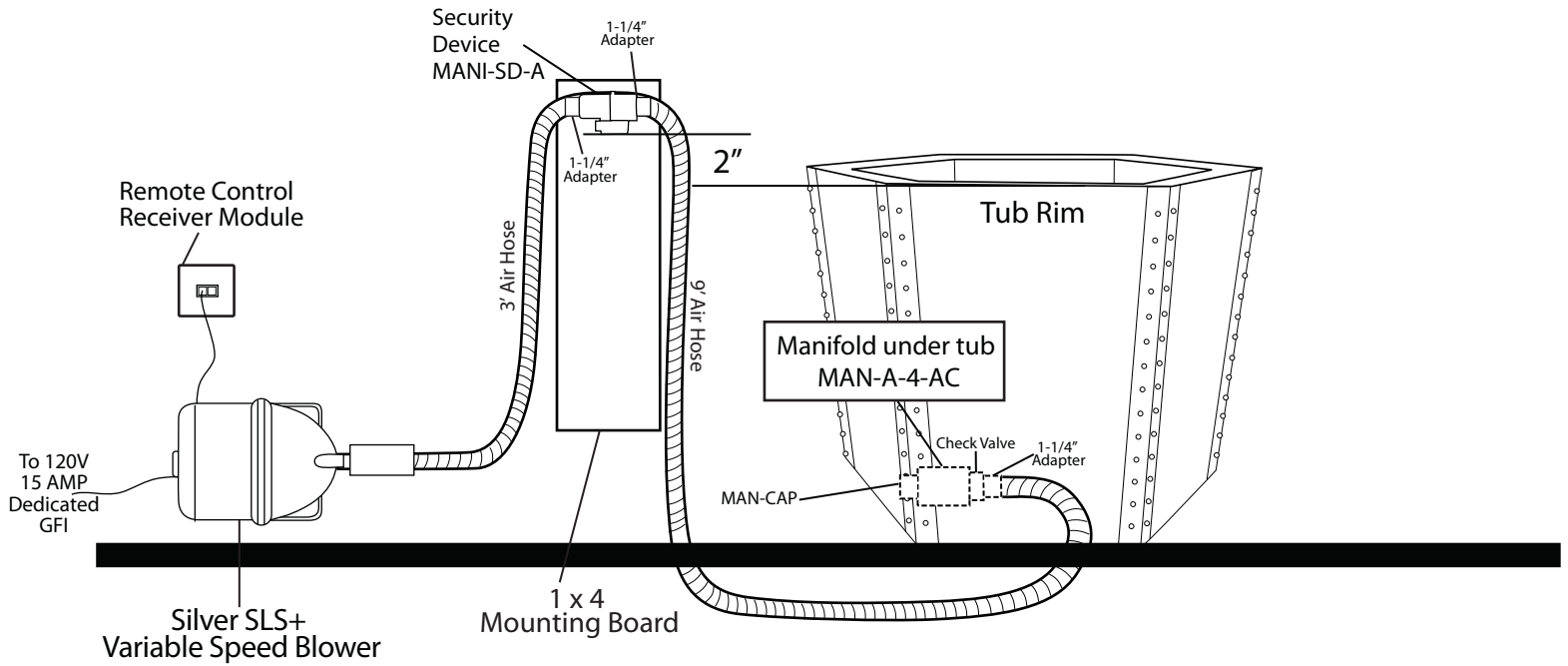
INSTALLATION INSTRUCTIONS

48" Finnen Hexagon Copper Japanese Style Soaking Air Bath Tub

- Install so that the security device, MANI-SD-A, is at least 2" above tub rim.

Components List:

- BM-TWP Ball Check Valve Jets
- MANI-SD-A Security Device
- MAN-A-4-AC Manifold
- Silver SLS+ Variable Speed Blower



Inside of Bath

Features:

- (12) Maxi Air Jets with 24 openings

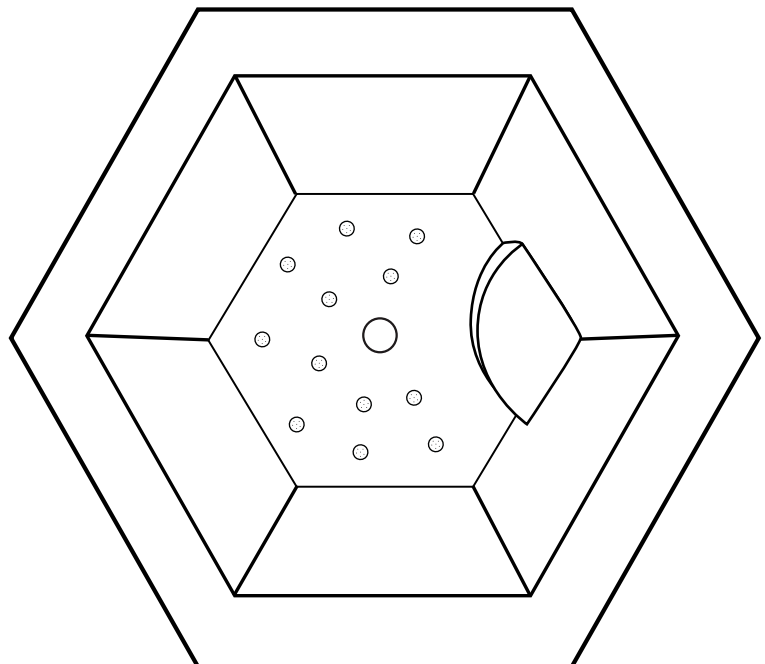


Elbows for air jets Tees for air jets

- Remote Control CG+/RTC-SENSOR-WP



12-15 year battery life



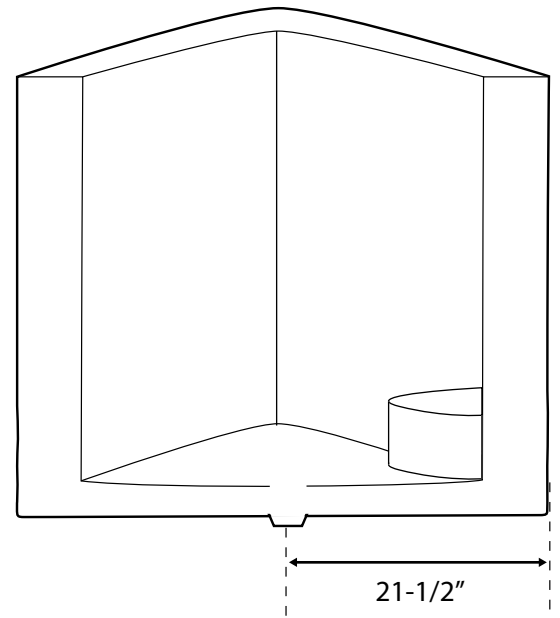
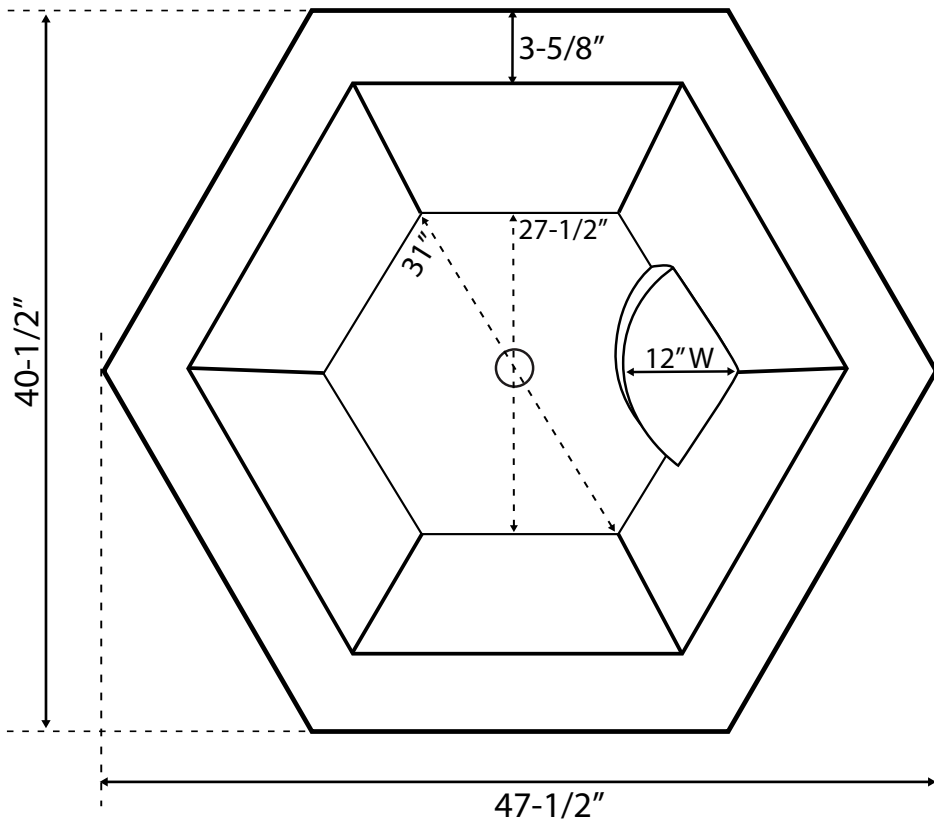
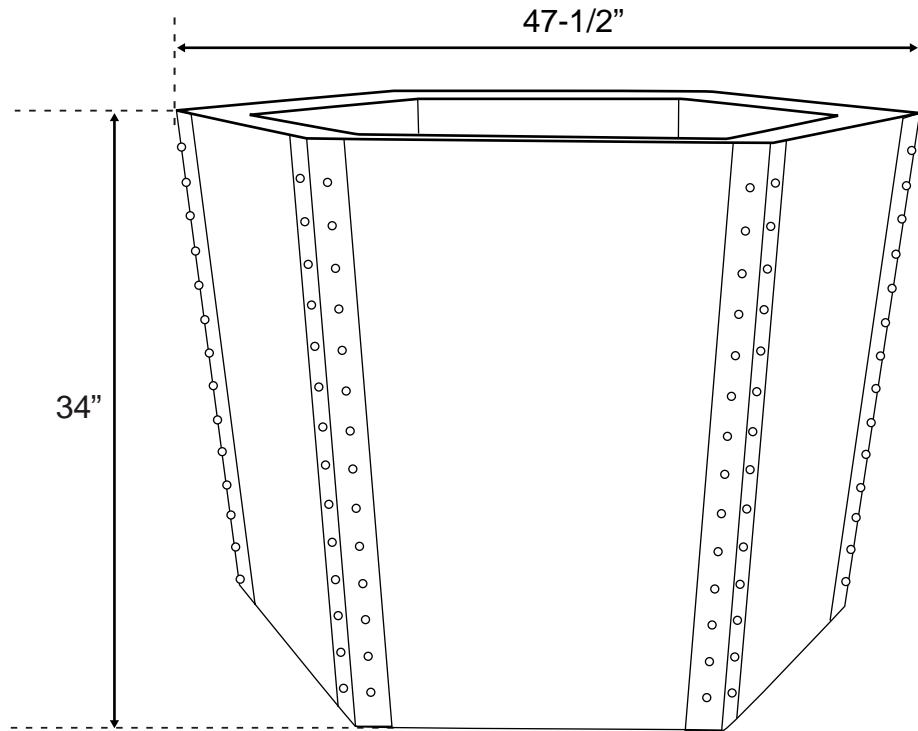
48" Finnen Hexagon Copper Japanese Style Soaking Air Bath Tub

Hammered Exterior and Interior

Tub Dimensions: 47-1/2" L x 40-1/2" W x 34" H

Water Capacity: 110 gallons to top of tub

Tub Weight Uncrated: 200 lbs. Tub Weight Crated: 425 lbs.



Tub is 30" deep and has no overflow.
Interior tub seat measures 18" L x 12" W (front to back) x 8" H.
All measurements are approximate.
Measurements may vary +/- 1/2".