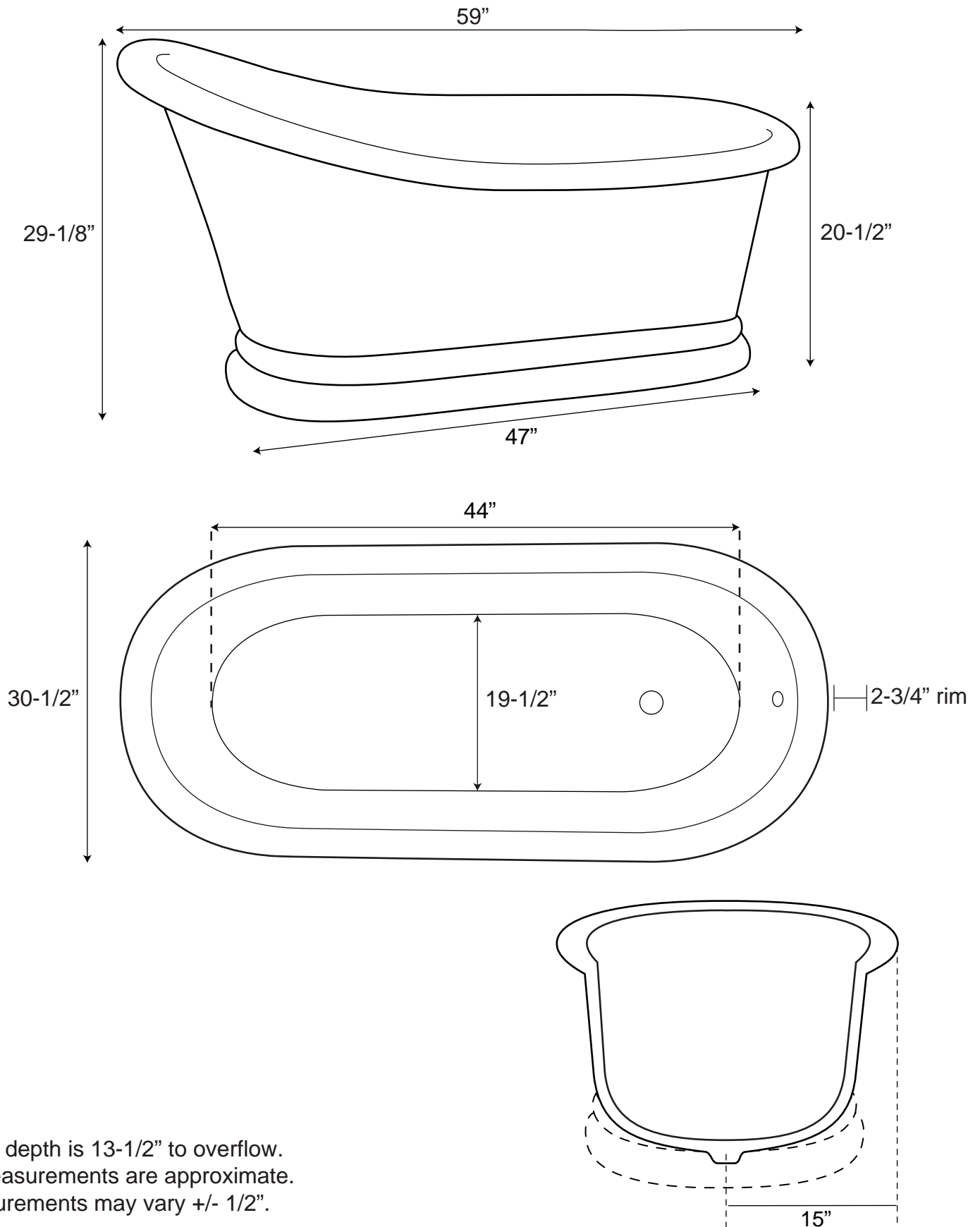


59" Paxton Hammered Polished Copper Slipper Tub on Plinth

Tub Dimensions: 59" L x 30-1/2" W x 29-1/8" - 20-1/2" H

Water Capacity: 50 Gallons

Tub Weight Uncrated: 100 lbs. Tub Weight Crated: 325 lbs.



Water depth is 13-1/2" to overflow.
All measurements are approximate.
Measurements may vary +/- 1/2".