

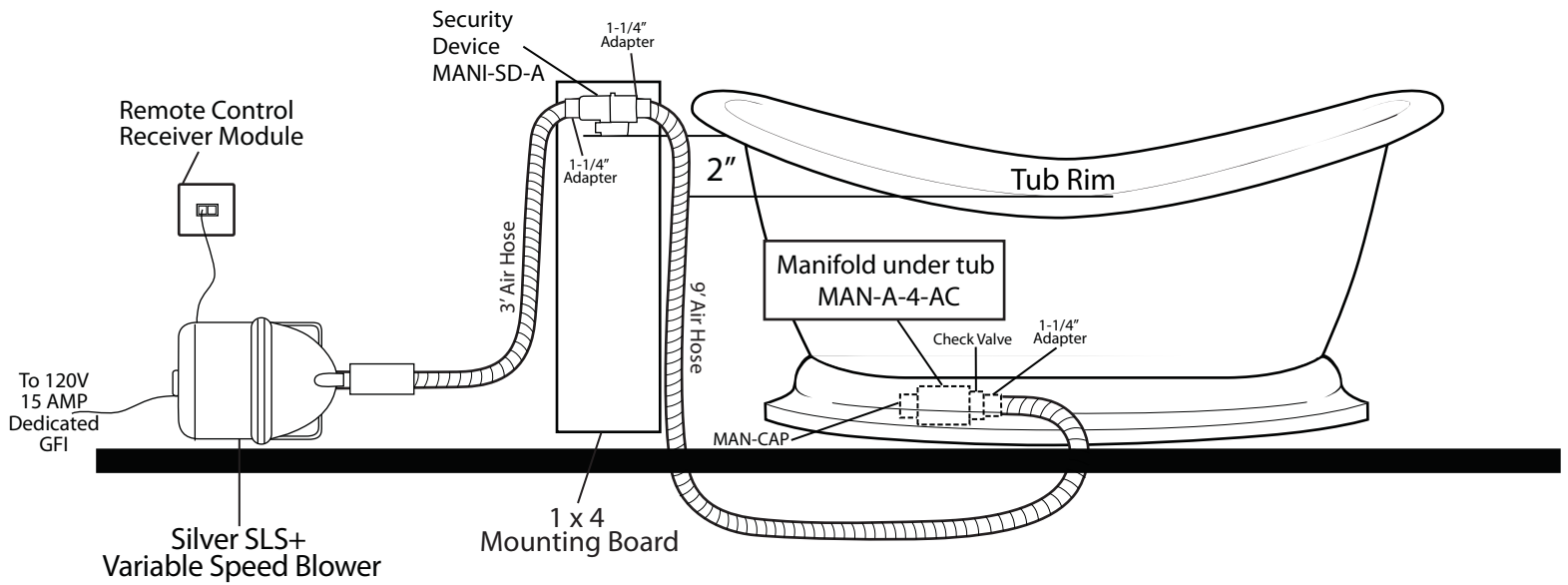
# INSTALLATION INSTRUCTIONS

## 69" Aleisa Acrylic Double Slipper Air Bath Tub on Plinth

- Install so that the security device, MANI-SD-A, is at least 2" above tub rim.

### Components List:

- BM-TWP Ball Check Valve Jets
- MANI-SD-A Security Device
- MAN-A-4-AC Manifold
- Silver SLS+ Variable Speed Blower



### Inside of Bath

#### Features:

- (12) Maxi Air Jets with 24 openings



Elbows for air jets

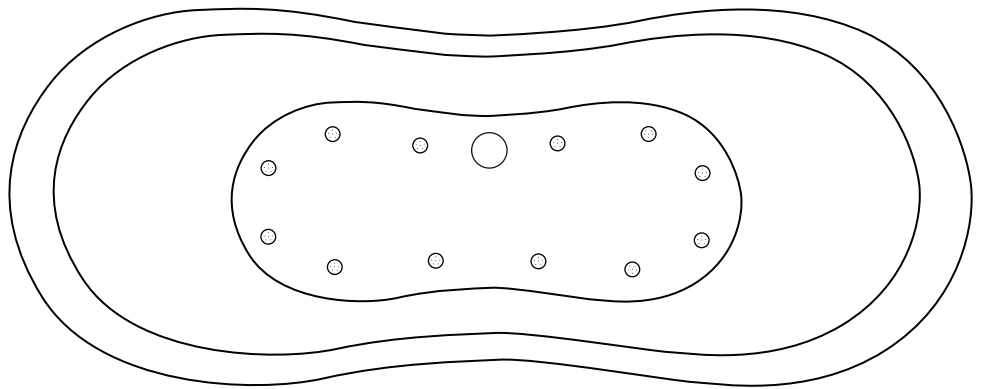


Tees for air jets

- Remote Control CG+/RTC-SENSOR-WP



12-15 year battery life

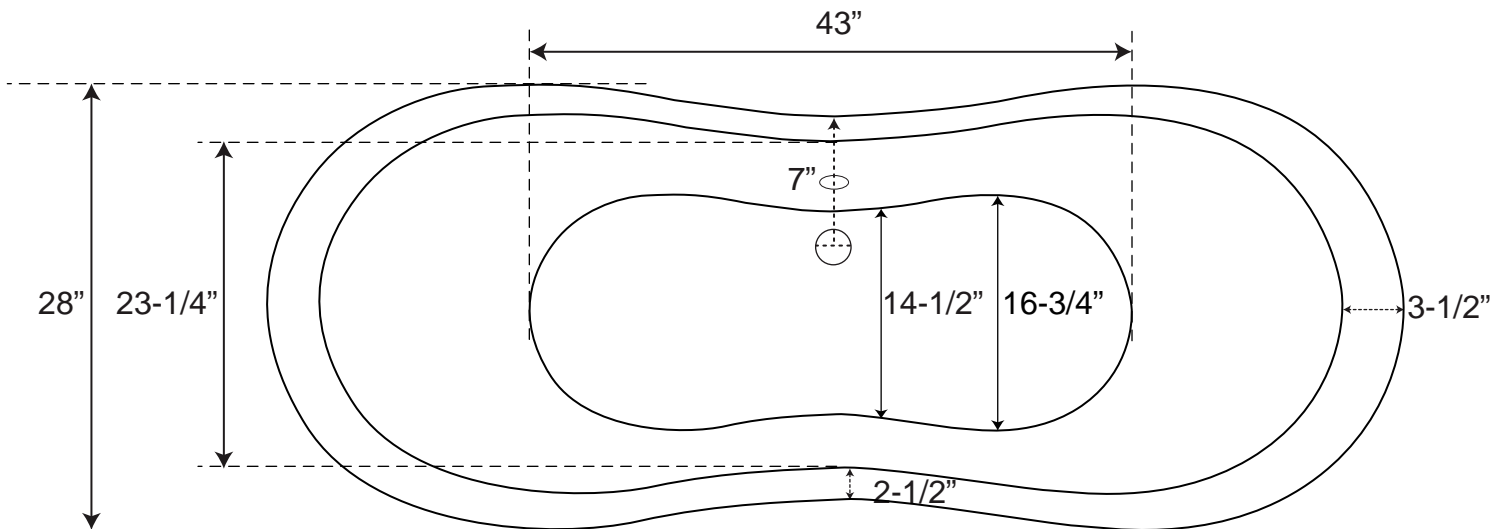
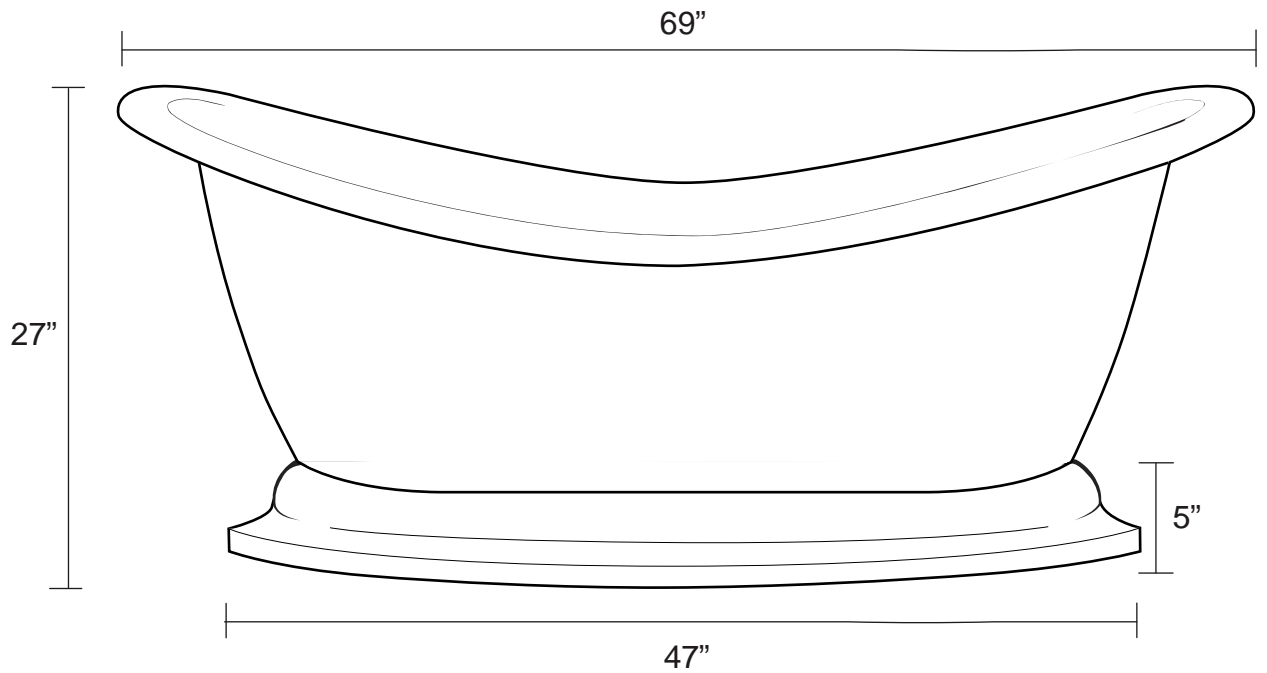


# Aleisa Acrylic Double Slipper Air Bath Tub on Plinth

Tub Dimensions: 69" L x 28" W x 27" H

Water Capacity: 42 Gallons

Tub Weight Uncrated: 200 lbs. Tub Weight Crated: 425 lbs.



Water depth to overflow is 13-1/2" H  
All measurements are approximate.  
Measurements may vary +/- 1/2".