

**Easy 3 Piece Assembly:
Legs bolt to Header**

Mitered Hanger Rail

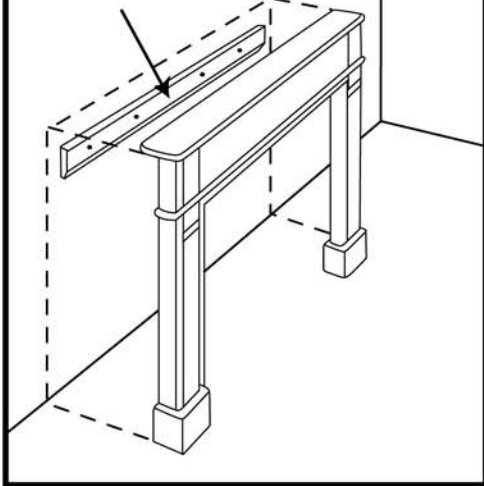
The arrows point out the
1 1/2" projection on the back
of the mantel.
This is where the mantel
will touch the wall first.

Projection

**Front of
Mantel Leg**

This opening gap between
the back of the mantel leg
and the wall is called
the p rojection

**Hanger Board
Screws to Wall**



Scribe Moulding

Hides any gaps between
the front of the mantel and
the material behind it.

Scribe Moulding

